

DESCRIPTION: Front Door Storage Kit  
 PART NUMBER: B4J-F17V0-V0  
 MODEL: 2021+ Wolverine and Wolverine RMAX (all)



**⚠ WARNING**

Please read and understand these instructions completely before installation to avoid possible injury, or damage to the accessory or vehicle.

These bags are intended to hold lightweight objects. Total capacity not to exceed 24oz. (1.5lb) per bag.

**NOTICE:**

Installation of this kit requires a torque wrench and should be performed by an authorized Yamaha dealer or a qualified mechanic.

**WARRANTY INFORMATION:**

In the United States, contact your dealer of purchase for information, fitment advice and a copy of the Yamaha Genuine Parts and Accessories Limited Warranty for this accessory.

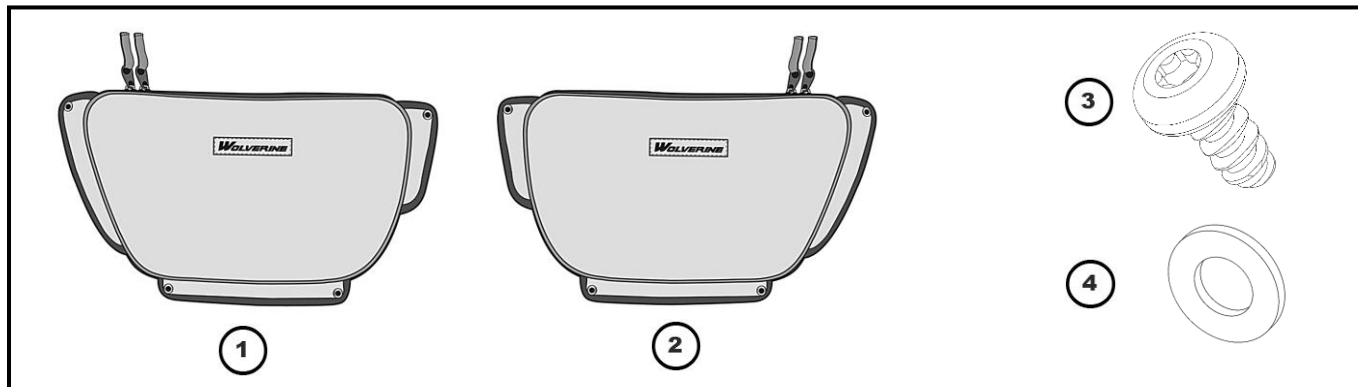
**DEALER OR INSTALLER:**

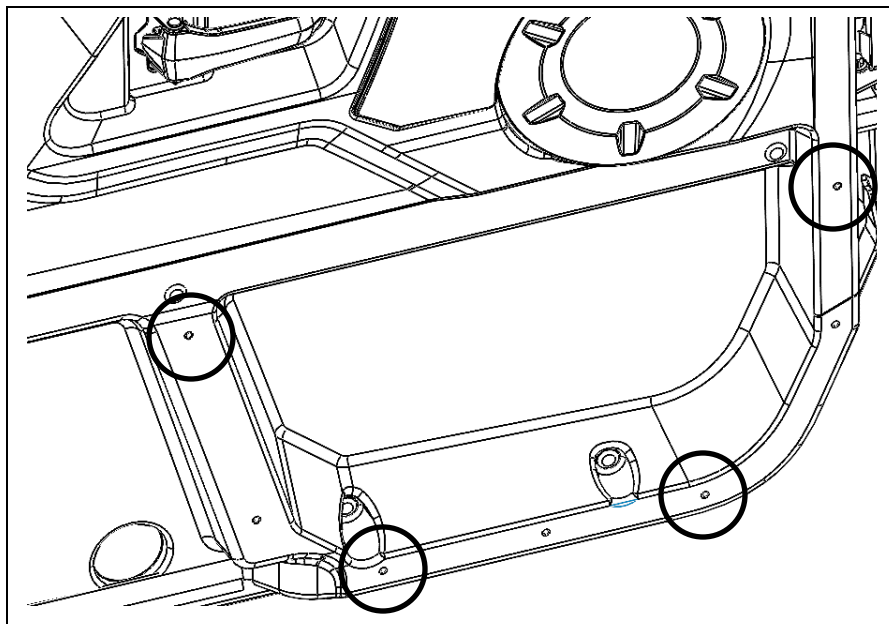
These instructions contain important information for future reference and *must* be given to the customer.

**PARTS LIST:**

No.	Part Number	Description	Qty
-	<b>B4J-F17V0-V0</b>	Front Door Storage Kit	
①	*	Driver Side Storage Bag	1
②	*	Passenger Side Storage Bag	1
③	90169-06801	Screw	8
④	*	Washer	8

\* Part supplied with kit only and not available separately.





#### **PREPARATION:**

- Place the vehicle on a secure and level surface. Set the parking brake.
- Clean the mounting surfaces before beginning installation.

#### **INSTALLATION:**

1. Place the ① Driver Side Storage Bag in the area shown in the Figure above.
2. Place a ④ Washer over the ③ Screws (qty 4).
3. Push them through the bag grommets and screw them into the circled locations in the Figure above. Torque each screw to 2.5 Nm (22 in-lb).
4. Repeat the procedure on the passenger side using the ② Passenger Side Storage Bag.

**TIP: Hold the mounting tabs of the bags with one hand while torquing to minimize twisting of the material.**

#### **MAINTENANCE:**

Periodically, check torque on all hardware. If loose hardware is found, re-torque to specification.

#### **CARE AND CLEANING:**

Clean painted metal parts with a clean, soft cloth and mild soap and water solution. Rinse and dry.

#### **CUSTOMER SERVICE:**

For further information see your Yamaha dealer.

**ESTIMATED TIME TO INSTALL: 0.25 HRS.**